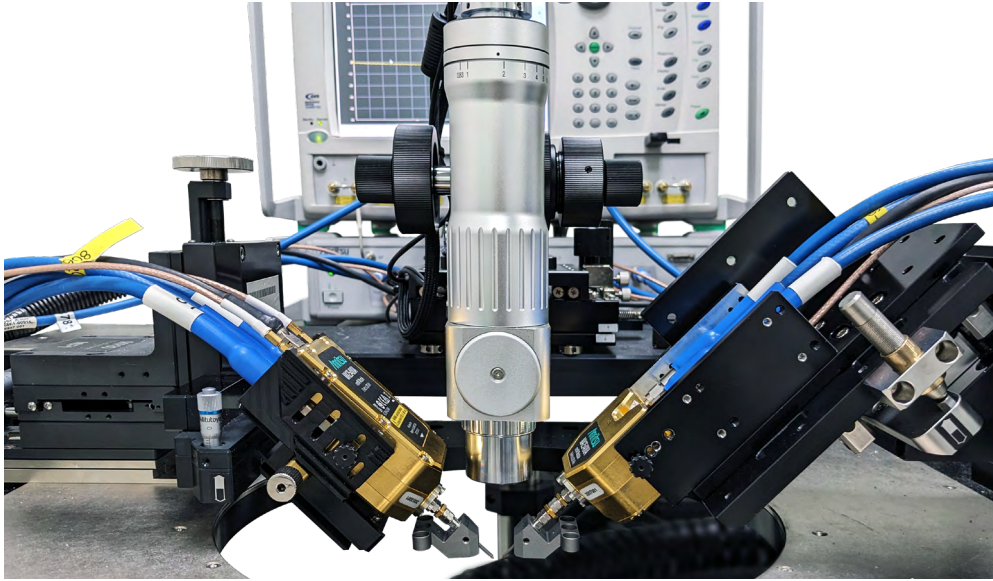


# TITAN™ Probe Family DC to 145 GHz



## MPI TITAN™ Probes DC to 145 GHz

Elevate your broadband measurement capabilities to new heights with the TITAN™ Probe T145 family. Designed to operate from DC up to 145 GHz, this family includes both single-ended (T145A) and dual (T145S) models. Experience unparalleled accuracy of single-ended and differential calibration and device and circuit characterization across the board.

### Trusted Design for Consistent Results

Drawing from the trusted, optimized, and robust tip design of our TITAN™ T220 Probes, the T145 ensures minimal parasitic probe-to-pad coupling. This results in consistent measurement data and model parameter correlation across the entire frequency range.

### Less Is More: Industry's Lowest Insertion Loss

Our single-ended T145A model boasts the industry's lowest insertion loss of the signal measurement path. When mounted directly on the 0.8mm male VNA frequency extender ports-like that of the Anritsu VectorStar® 70 kHz - 145 GHz model ME7838D4 VNA - it offers the highest possible measurement dynamic range. This probe family is also compatible with various VNA systems and frequency bands, such as the 900 Hz - 120 GHz N5291A PNA from Keysight Technologies or R&S® ZVA110 from Rohde & Schwarz.

**MPI - We are Ready for The Test™. Are you?**

**MPI TITAN™ T145A Probe Characteristics**

**Typical Electrical Characteristics**

Characteristic impedance	50 Ω
Connector type	0.8 mm, female
Tip material	Ni alloy
Ground and signal alignment error	< +/- 3 μm
Contact footprint width	15 μm
Maximal voltage	< 50 V
Maximal current	< 1.5 A
Contact resistance on Au	< 6 mΩ
Contact resistance on Al	< 45 mΩ
Thermal range	-40 °C ...+150 °C

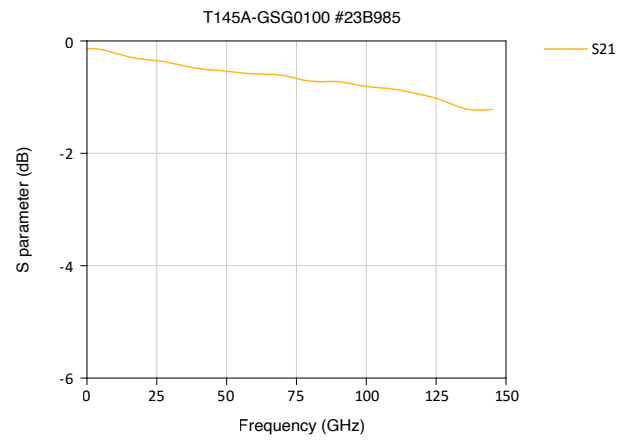
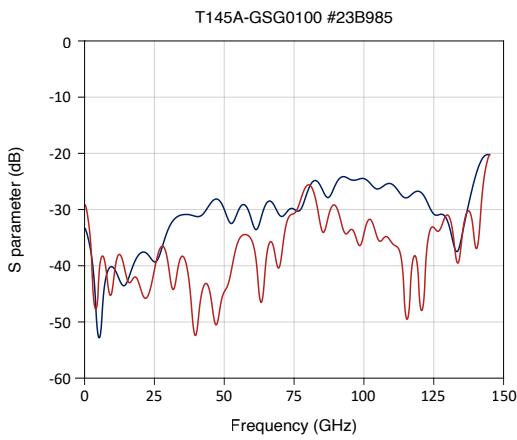


T145 probe, A-Style of the connector

**Mechanical Characteristics**

Pitch range	50, 75, 100, 125 and 150 μm
Tip configuration	GSG
Frequency range	DC to 145 GHz

**Typical Electrical Characteristics: 145 GHz GSG probe, 100 micron pitch**



**MPI Dual T145S TITAN™ Probe DC to 145 GHz Characteristics**

**Typical Electrical Characteristics**

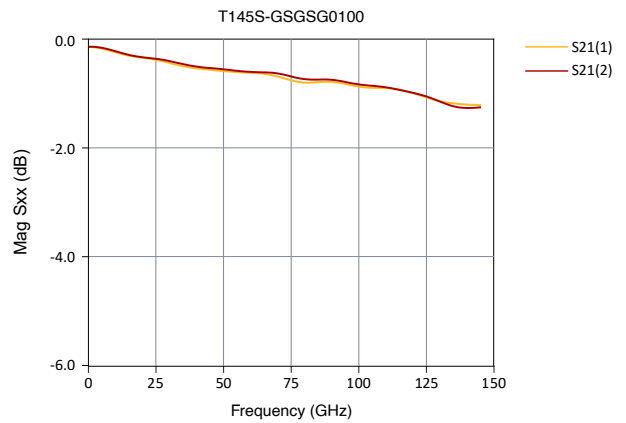
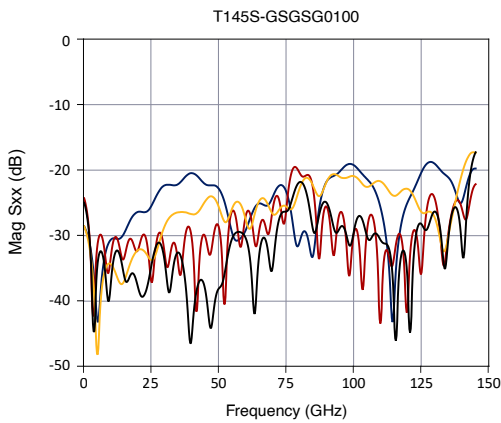
Characteristic impedance	50 Ω
Connector type	0.8 mm, female (two)
Tip material	Ni alloy
Contact footprint width	15 μm
Maximal voltage	< 50 V
Maximal current	< 1.5 A
Contact resistance on Au	< 6 mΩ
Contact resistance on Al	< 45 mΩ
Thermal range	-40 °C ...+150 °C



**Mechanical Characteristics**

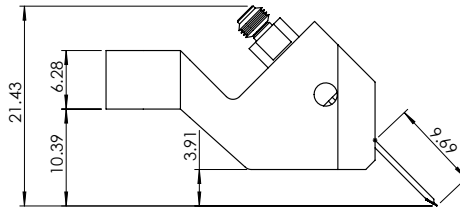
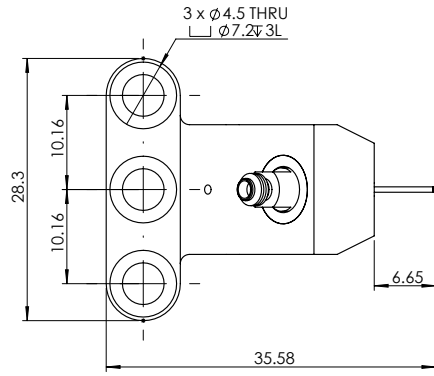
Pitch range	50, 75, 100 and 125 μm
Tip configuration	GSGSG
Frequency range	DC to 145 GHz

**Typical Electrical Characteristics: 145 GHz GSGSG probe, 100 micron pitch**

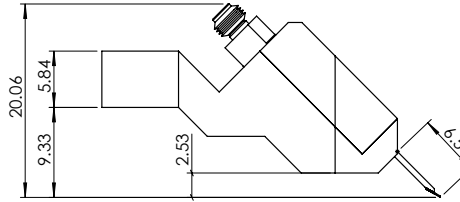
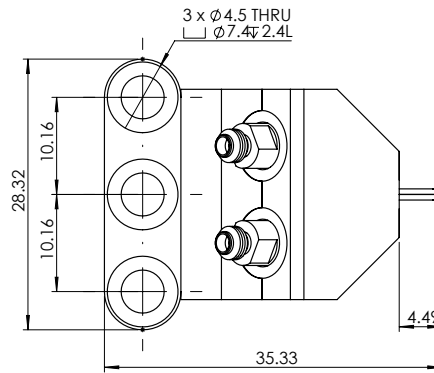


**BODY DIMENSIONS**

**TITAN™ T145A**



**TITAN™ T145S**



Unit: mm

Direct contact:  
 Asia region: ast-asia@mpi-corporation.com  
 EMEA region: ast-europe@mpi-corporation.com  
 America region: ast-americas@mpi-corporation.com

MPI global presence: for your local support, please find the right contact here:  
[www.mpi-corporation.com/ast/support/local-support-worldwide](http://www.mpi-corporation.com/ast/support/local-support-worldwide)

© 2024 Copyright MPI Corporation. All rights reserved.

**MPI Global Presence**

